

**PIANO DI COTTURA ORIZZONTALE INDUZIONE TOP E700XP
HORIZONTAL INDUCTION COOK TOP E700XP**

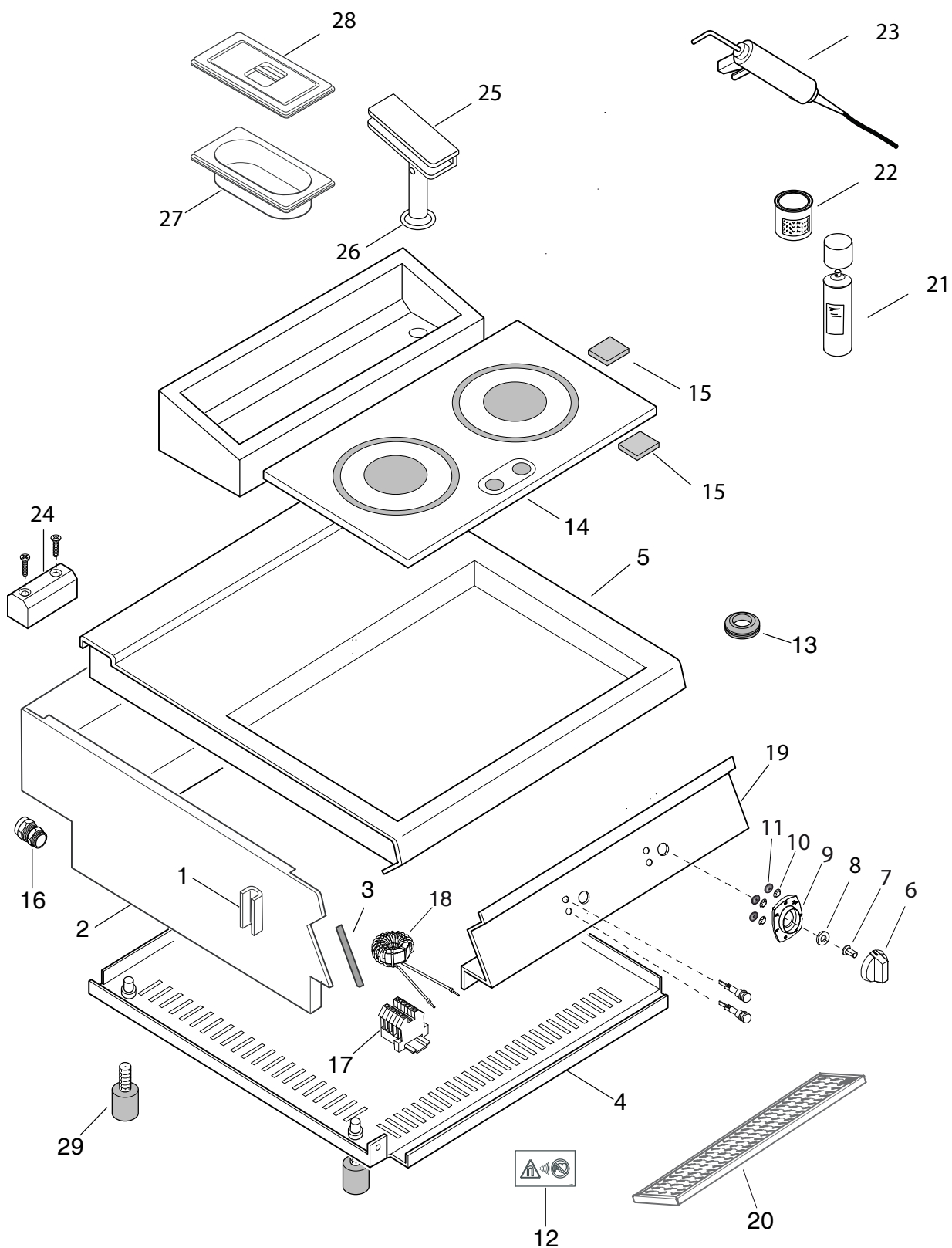
PNC	Model	Ref	Brand	Version	Notes
371023	E7INEH2F0P	a	ELX	EL	10KW 800MM
372023	Z7INEH2F0P	b	ZAN	EL	10KW 800MM

Pag	Index	Indice	Note:
2	Cabinet componets	Componenti mobile	-
3	Induction Up to Ser. Nr. 4281 (2014)	Induzione fino a Ser. Nr. 4281 (2014)	Refer to Tech.Bulletin : PDX2014-01
4	Induction From Ser. Nr. . 4291 (2014)	Induzione da Ser. Nr. . 4291 (2014)	Refer to Tech.Bulletin : PDX2017-01 - PDX2019-01
5/6	Spare parts list	Liste ricambi	BOLD: Last Change / Grassetto= Ultima modifica

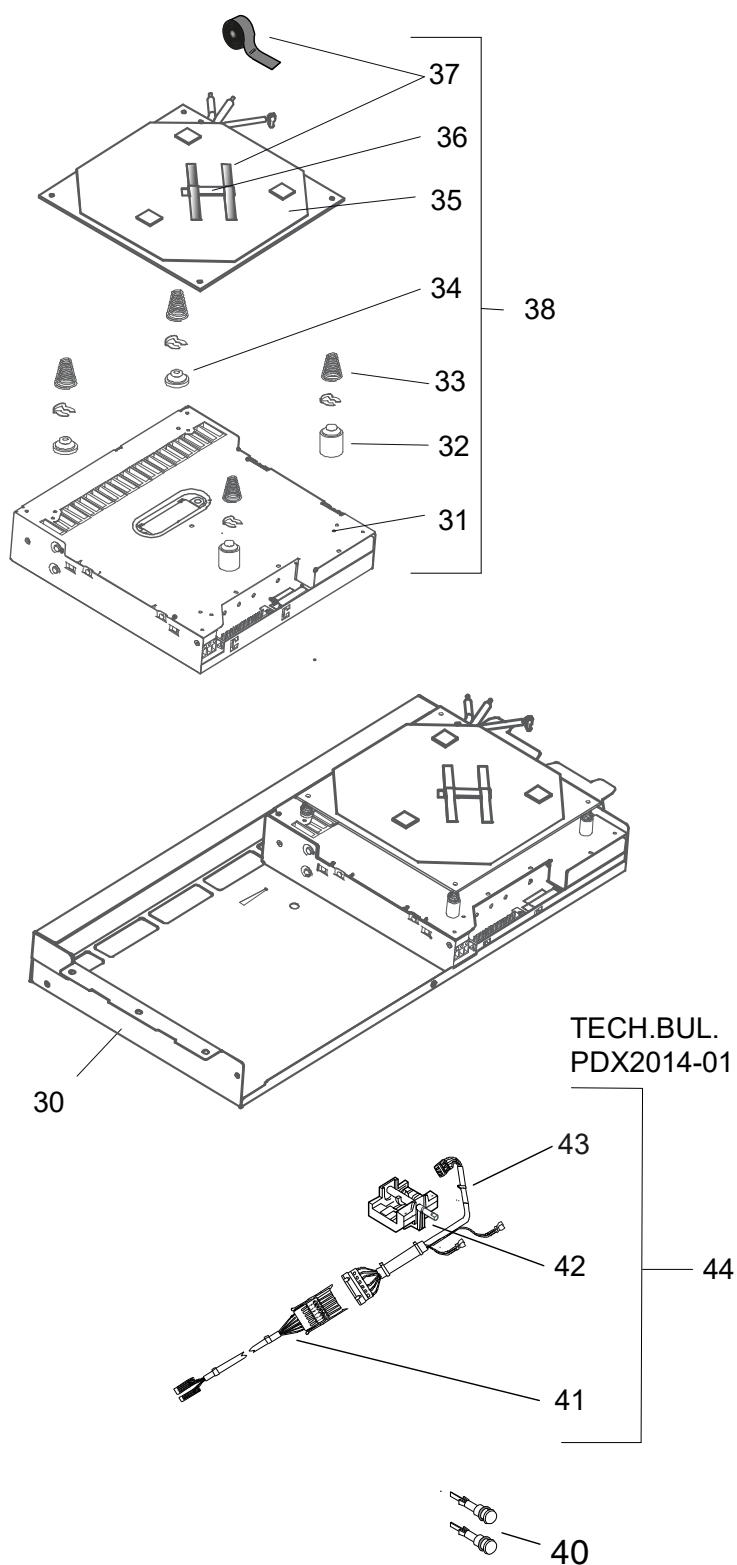
Brand/Marchio: All
Factory code: 9PDX

From Ser. Nr. 116 (2011) Up to Ser. Nr.	Ed. document pubblication . 2017 - 03 Ed. page revision 2021-01	Page 1	Doc. N° 59785DR00
--	--	--------	--------------------------

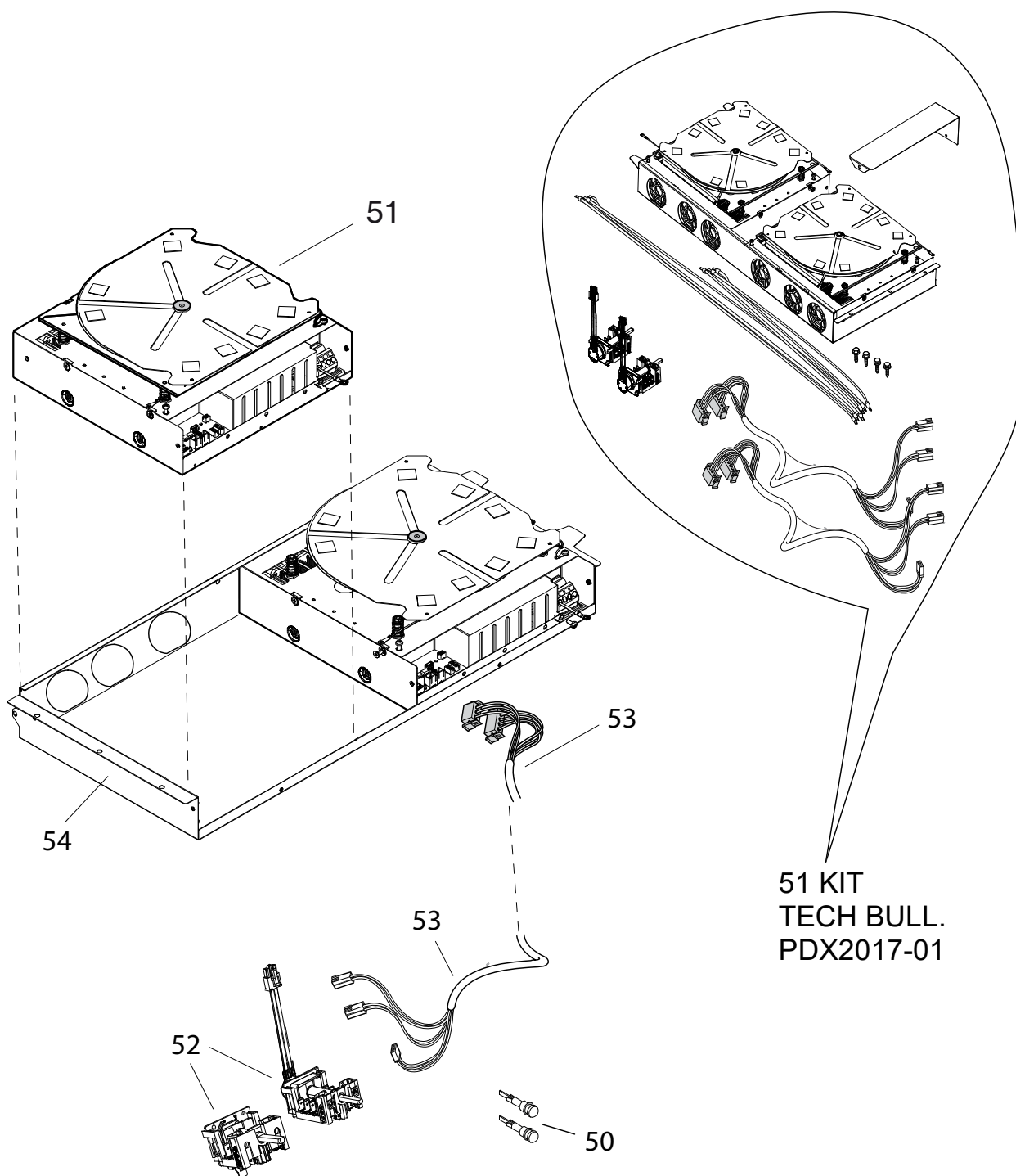
PIANO DI COTTURA ORIZZONTALE INDUZIONE TOP E700XP
HORIZONTAL INDUCTION COOK TOP E700XP



PIANO DI COTTURA ORIZZONTALE INDUZIONE TOP E700XP
HORIZONTAL INDUCTION COOK TOP E700XP



PIANO DI COTTURA ORIZZONTALE INDUZIONE TOP E700XP
HORIZONTAL INDUCTION COOK TOP E700XP



PIANO DI COTTURA ORIZZONTALE INDUZIONE TOP E700XP

HORIZONTAL INDUCTION COOK TOP E700XP

<i>Pos</i>	<i>Factory Code</i>	<i>Spare Code</i>	<i>Descrizione</i>	<i>Description</i>	<i>Ref./Note</i>
1	0527850500	0C0156	PIASTRA FISSAGGIO FIANCHI	SIDE PANELS JOINTING PLATE	
2	085089F800	*	RIVESTIMENTO LATERALE 800 mm	EXTERNAL PANEL 800 MM	ELX
2	050389R100	*	RIVESTIMENTO LATERALE 800 mm	EXTERNAL PANEL 800 MM	ZAN
3	0543821900	0C2496	GUARNIZIONE CRUSCOTTO	GASKET CONTROL PANEL	
4	050389Q502	*	FONDO PIANO 800MM	BOTTOM 800 MM	Up to 9021
4	050389Q503	*	FONDO PIANO 800MM	BOTTOM 800 MM	From 9031
5	050389PK00	*	RIPIANO 800 MM	TOP 800 MM	ELX
5	050389PP00	*	RIPIANO 800 MM	TOP 800 MM	ZAN
6	0511850G01	0C6670	MANOPOLA	KNOB	ELX
6	0548878201	0C7232	MANOPOLA	KNOB	ZAN
7	0548877V00	0C7345	ADATTATORE MANOPOLA	KNOB ADAPTER	
8	0543821000	053816	GUARNIZIONE GHIERA/MANOPOLA	KNOB/RING GASKET	
9	0548877C00	0C7166	GHIERA INDUZ.	KNOB RING	ELX
9	0548879K00	0C7639	GHIERA INDUZ.	KNOB RING	ZAN
10	0218912211	069567	MOLLETTA FISS. GHIERA	SPRING, KNOB RING	
11	0541813800	0C6171	RONDELLA SILICONE	SILICONE WASHER	
12	0598849200	0C0024	TARGHETTA PACE/MAKER	STICKER PACE/MAKER	
13	0246530100	005382	PASSAFILO D.22	CORE HITCH D.22	
14	0574820400	0C7188	VETROCERAMICA 400 MM	GLASS TOP 400 MM	
15	0546810400	0C5419	DISTANZIATORE PER VETRO	SPACER FOR GLASS TOP	
16	0544802400	0C3528	PRESSACAVO	CABLE STOPPER	
17	0639805001	059239	MORSETTIERA ALIMENTAZIONE	MAIN TERMINAL BOARD	Until Ser. 7051
17	0639813900	*	MORSETTIERA 10MMQ	MAIN TERMINAL BLOCK 10MMQ	From Ser. 7061
18	0694806101	*	FILTRO TOROIDE	TOROID FILTER	From Ser. 7061
19	085089CN00	0C7644	CRUSCOTTO 800 MM	CONTROL PANEL 800 MM	ELX
19	085089GL00	0C7650	CRUSCOTTO 800 MM	CONTROL PANEL 800 MM	ZAN
20	085589A700	0C7652	FILTRO	FILTER	
21	0151098052	088314	DETERGENTE REINIGER	CLEANER REINIGER	
22	0147098057	088313	PRIMER 1015 PACTAN	PRIMER 1015 PACTAN	
23	0147098058	0C0074	SILICONE PER INDUZIONE	SILICONE FOR INDUCTION	
24	0516860700	0C0137	PIASTRINA OTTONE	JOINTING REAR PLATE	
25	0806850301	0C2163	TROPPO PIENO	PIPE DRAIN	
26	0543815500	0A5182	GUARNIZIONE OR	GASKET OR	
27	0509803700	*	BACINELLA (9F9L815400)	BASIN (9F9L815400)	
28	0509803600	*	COPERCHIO BACINELLA (9F9L818600)	LID OF BASIN (9F9L818600)	
29	0315252601	026806	PIEDINO	FOOT	
30	050489H900	*	BOX GENERATORI ATICS	GENERATOR BOX ATICS	Until 4281
31	0873879802	0C7867	INVERTER ATICS 5KW	INVERTER ATICS 5KW	Until 4281
32	0516892400	0C4004	PERNO LUNGO ATICS	LONG PIN ACTIS	
33	0516892500	0C4002	MOLLA ATICS	SPRING ATICS	
34	0516892300	0C4003	PERNO CORTO ATICS	SHORT PIN ACTIS	
35	0830897601	0C0027	BOBINA ATICS	COIL ATICS	Art. 36+37 included
36	*	0K4302	SONDA TEMPERATURA ATICS	TEMP PROBE ATICS	49 Cm , PT1000
37	*	0G3527	NASTRO SPECIFICO FISS. SONDA	FIX TAPE FOR PROBE FIX	HIGHT TEMP
38	083089G500	0C8305	GENERATORE COMPLETO ATICS	COMPLETE GENERATOR ATICS	5kw – Until 4281
40	0660808100	0C3999	LUCE ROSSA (lampadina)	RED LAMP (bulb)	PDX2014-01
40	0660808200	0C4000	LUCE VERDE (lampadina)	GREEN LAMP (bulb)	PDX2014-01
41	0639810000	0C3978	ASSIEME CAVETTI COMMUTATORE	CABLE, COMMUTATOR	PDX2014-01
42	0641804000	0KI631	COMMUTATORE	SWITCH	PDX2014-01
43	*	0G5277	CAVETTI COMMUTATORE	CABLE, SELECTOR	PDX2014-01
44	0831840200	0C6109	KIT COMMUTATORE	KIT SELECTOR	PDX2014-01

From Ser. Nr. 116 (2011)

Up to Ser. Nr.

Ed. document publication . 2017 – 03

Ed. page revision 2019 - 04

Page 5

Doc. N° 59785DR00

PIANO DI COTTURA ORIZZONTALE INDUZIONE TOP E700XP
HORIZONTAL INDUCTION COOK TOP E700XP

<i>Pos</i>	<i>Factory Code</i>	<i>Spare Code</i>	<i>Descrizione</i>	<i>Description</i>	<i>Ref./Note</i>
50	0660808400	0C9697	LED LUCE VERDE	GREEN LED LAMP	From 4031 PDX2014-01
50	0660808500	0C9698	LED LUCE ROSSA	RED LED LAMP	From 4031 PDX2014-01
51	080083AA02	0CA029	GENERATORE COMPLETO FOUCAULT 1	COMPLETE GENERATOR FOUCAULT 1	5Kw, From 4291 Until 7051 PDX2017-01
51 KIT	83089PL00	0CB042	KIT COMPLETO RETROFIT FOUCAULT 2.1	COMPLETE RETROFIT KIT FOUCAULT 2.1	5KW, From 4291 PDX2017-01 – PDX2019-01
51	83089PP00	0CB665	GENERATORE COMPLETO FOUCAULT2	COMPLETE GENERATOR FOUCAULT2	5KW, FROM 7061 PDX2017-0101 - PDX2019-01
52	0641805800	0C9905	COMMUTATORE GOTTAK FOUCAULT1	SELECTOR GOTTAK FOUCAULT1	Until 7051 PDX2017-01
52	0641805G00	0CA934	COMMUTATORE ALTMAN FOUCAULT2	SELECTOR ALTMAN FOUCAULT2	From 7061 and RETROFIT KIT PDX2017-01
53	0657800600	0CA174	CAVO COMMUTATORE GOTTAK / GENERATORE FOUCAULT1	CABLE SELECTOR GOTTAK / GENERATOR FOUCAULT1	Until 7051 PDX2017-01
53	0657800900	0CA995	CAVO COMMUTATORE ALTMAN / GENERATORE FOUCAULT2 E RETROFIT KIT	CABLE, SELECTOR ALTMAN / GENERATOR FOUCAULT2 AND RETROFIT KIT	FROM 7061 PDX2017-01
54	50289GW01	*	BOX GENERATORI FOUCAULT1/2	BOX, GENERATORS FOUCAULT1/2	From 4291

From Ser. Nr
Up to Ser. Nr.

Ed. document publication . 2017 – 03
Ed. page revision 2021 - 01

Page 6

Doc. N° 59785DR00